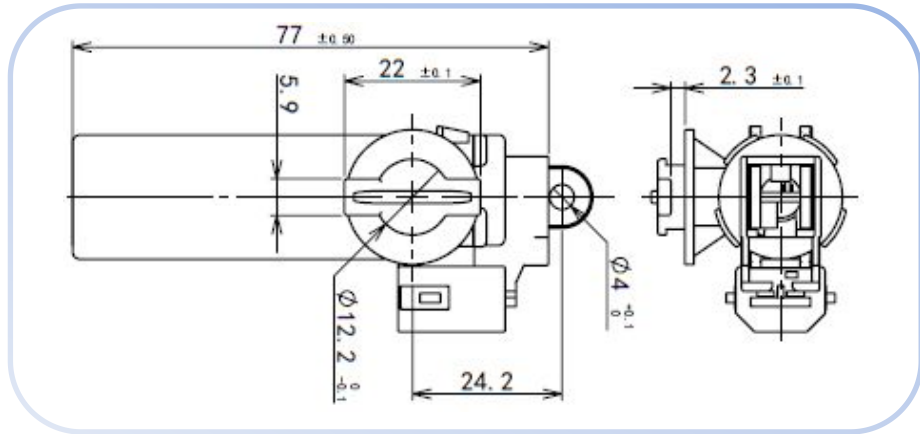
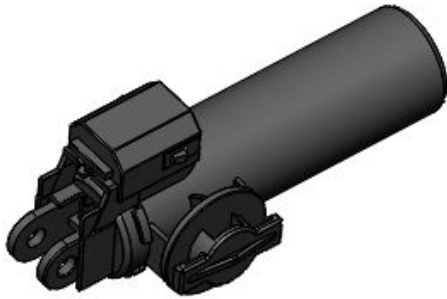


# D03002001 Air Damper

## Product 3D drawing and three views



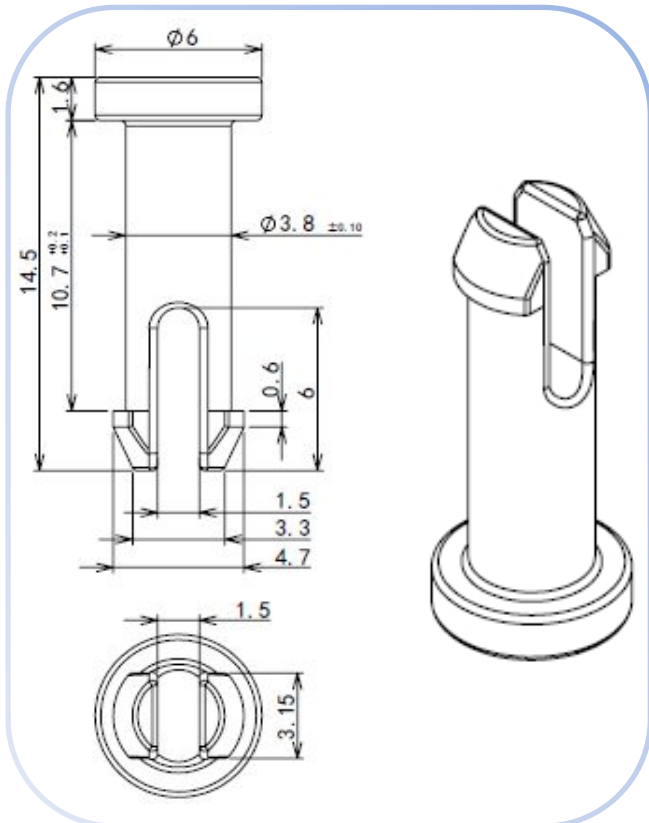
### Testing and Torque Information

Testing condition	Time
23±2°C Angle 35°	2.0±1.0s

### Main material

Shell	POM
Pull rod	POM
Cap	POM
Valve cover	PA66
O ring	TPE

### Housing Suggestion



### Working Condition

Temperature	-30~85°C
Durability	30000 cycles
Working Distance	52mm

### Method of Application

